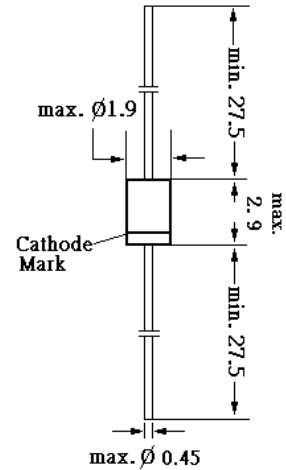


1N-SS254

HIGH-SPEED SWITCHING DIODE

Features

- Ultra-high speed.
- High withstand voltage.
- Low leakage and high voltage.



Glass case JEDEC DO-34

Dimensions in mm

Weight approx. 0.092g

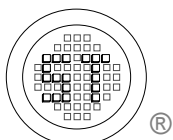
Absolute Maximum Ratings ($T_a = 25^\circ\text{C}$)

	Symbol	Value	Unit
Peak reverse voltage	V_{RM}	40	V
Reverse voltage	V_R	35	V
Average rectified current	I_o	110	mA
Peak forward current	I_{FM}	300	mA
Non-Repetitive peak forward surge current	I_{FSM}^*	400	mA
Junction temperature	T_j	175	$^\circ\text{C}$
Storage temperature range	T_s	-65 to +175	$^\circ\text{C}$

Note: Within 1s forward surge current.

Characteristics at $T_a = 25^\circ\text{C}$

	Symbol	Min.	Typ.	Max.	Unit
Forward Voltage at $I_F = 100\text{mA}$	V_F	-	-	1.2	V
Reverse current at $V_R = 35\text{V}$	I_R	-	-	0.5	μA
Capacitance at $V_R = 0.5\text{V}$, $f = 1\text{MHz}$	C_T	-	-	3	pF
Reverse recovery time at $I_F = 10\text{mA}$, $V_R = 6\text{V}$	t_{rr}	-	-	4	ns



SEMTECH ELECTRONICS LTD. (Wholly owned subsidiary of Honey Technology Ltd.)



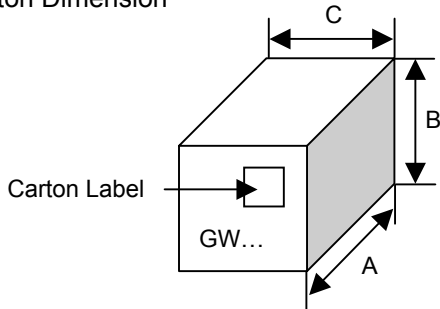
Dated : 31/12/2002

Packing Specification of 52mm Ammo Pack

1. The method of inner box packing is shown in figure 1.
2. Dimension and Quantity of inner box and taping.

Product outline	A	B	C	Quantity	b	c	f	g	h	$l_1 \sim l_2$	m
DO-34	262 mm	77 mm	71 mm	5kpcs/box	52.25 ±0.25 mm	6.25 ±0.25 mm	5.00 ±0.30 mm	1.0 mm max.	1.0 mm max.	1.0 mm max.	0.8 mm max.

3. Carton Dimension



Product outline		DO-34
Dimension	A(mm)	404
	B(mm)	273
	C(mm)	165

- 3.1 10 box / carton
 5 box / layer
 2 layer / carton

4. Quantity of Carton Pack.

Product outline	DO-34
Quantity	50kpcs

5. Label

5.1 The information of inner box label must be listed:

- 5.1.1 TYPE
- 5.1.2 QTY
- 5.1.3 CODE
- 5.1.4 RMK

5.2 The information of carton label must be listed:

- 5.2.1 TYPE
- 5.2.2 QTY

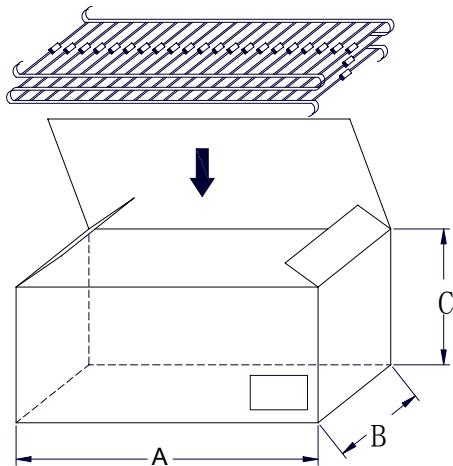


figure 1

